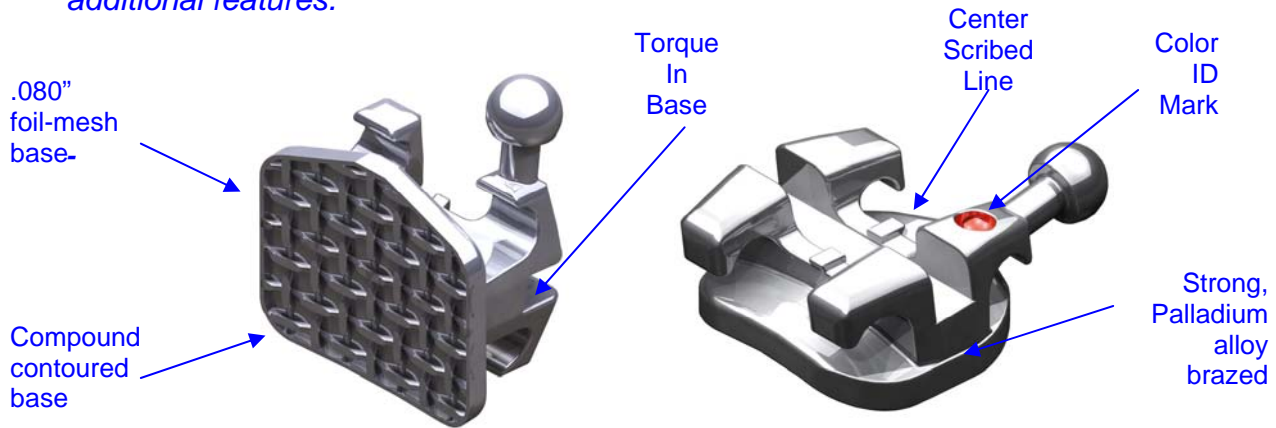


ADVANCED ORTHODONTICS

METAL BRACKETS

CENTRA

The Centra system is another line of our premium two-piece foil-mesh brackets, with additional features.



Available Options:



Extended bonding Base



Gingivally offset Base



Gold



Vertical Slot brackets

ROTH

RICKETTS

ROTH/GOLD

RICKETTS/GOLD

VERTICAL SLOT

No Cost Options:

- ① Hooks on cuspids and bicuspid
- ② Chamfered lower anterior.
- ③ Offset Bicuspid
- ④ Color identification marks
- ⑤ Permanent orientation marks



148E Hawthorne Ave, Valley Stream, NY 11580

TEL:1-800-BRACKET, 718-252-4295 FAX: 516-612-3584

EMAIL: advortho@aol.com

ADVANCED ORTHODONTICS

ROTH					
DESCRIPTION	ORDER NUMBER				
	T/A	.018		.022	
		RIGHT	LEFT	RIGHT	LEFT
MAXILLARY					
Centrals	14/5	CNUR18	CNUL18	CNUR1	CNUL1
Laterals	8/9	CNUR28	CNUL28	CNUR2	CNUL2
Cuspids	0/10	CNUR38	CNUL38	CNUR3	CNUL3
Cuspids/Hook	0/10	CNUR38H	CNUL38H	CNUR3H	CNUL3H
1 st & 2 nd Bicuspid	-7/0	CNU458	CNU448	CNU45	CNU45
Bicuspid/Hook	-7/0	CNUR458H	CNUL458H	CNUR45H	CNUL45H
Bicuspid/Ext. Base	-7/0	CNUR458E	CNUL458E	CNUR45E	CNUL45E
Bicuspid/Offset Base	-7/0	CNUR458O	CNUL458O	CNUR45O	CNUL45O
MANDIBULAR					
2 nd Bicusp	-22/0	CNLR58	CNLL58	CNLR5	CNLL5
2 nd Bicusp/Hook	-22/0	CNLR58H	CNLL58H	CNLR5H	CNLL5H
2 nd Bicusp/Ext. Base	-22/0	CNLR58E	CNLL58E	CNLR5E	CNLL5E
2 nd Bicusp/Offset Base	-22/0	CNLR58O	CNLL58O	CNLR5O	CNLL5O
1 st Bicusp	-17/0	CNLR48	CNLL48	CNLR4	CNLL4
1 st Bicusp/Hook	-17/0	CNLR48H	CNLL48H	CNLR4H	CNLL4H
1 st Bicusp/Ext. Base	-17/0	CNLR48E	CNLL48E	CNLR4E	CNLL4E
1 st Bicusp/Offset Base	-17/0	CNLR48O	CNLL48O	CNLR4O	CNLL4O
Cuspids	-11/6	CNLR38	CNLL38	CNLR3	CNLL3
Cuspids/Hook	-11/6	CNLR38H	CNLL38H	CNLR3H	CNLL3H
Chamfered Ant.	0/0	CNL128	CNL128	CNL12	CNL12

RICKETTS			
DESCRIPTION	T/A	ORDER NUMBER	
		RIGHT	LEFT
MAXILLARY			
Centrals	22/0	CNRUR1	CNRUL1
Laterals	14/8	CNRUR2	CNRUL2
Cuspids	7/5	CNRUR3	CNRUL3
Cuspids/Hk	7/5	CNRUR3H	CNRUL3H
Bicuspid	0/0	CNRUR45	CNRUL45
MANDIBULAR			
Bicuspid	0/0	CNRLR45	CNRL45
Cuspids	7/5	CNRLR3	CNRL3
Cuspids/Hk	7/5	CNRLR3H	CNRL3H
Anteriors	0/0	CNRLR12	CNRL12

148E Hawthorne Ave, Valley Stream, NY 11580
TEL:1-800-BRACKET, 718-252-4295 FAX: 516-612-3584
 EMAIL: advortho@aol.com

ADVANCED ORTHODONTICS

ROTH GOLD					
DESCRIPTION	ORDER NUMBER				
	T/A	.018		.022	
		RIGHT	LEFT	RIGHT	LEFT
MAXILLARY					
Centrals	14/5	GUR18	GUL18	GUR1	GUL1
Laterals	8/9	GUR28	GUL28	GUR2	GUL2
Cuspids	0/10	GUR38	GUL38	GUR3	GUL3
Cuspids/Hook	0/10	GUR38H	GUL38H	GUR3H	GUL3H
1 st & 2 nd Bicuspid	-7/0	GU458	GU448	GU45	GU45
Bicuspid/Hook	-7/0	GUR458H	GUL458H	GUR45H	GUL45H
Bicuspid/Ext. Base	-7/0	GUR458E	GUL458E	GUR45E	GUL45E
Bicuspid/Offset Base	-7/0	GUR458O	GUL458O	GUR45O	GUL45O
MANDIBULAR					
2 nd Bicuspid	-22/0	GLR58	GLL58	GLR5	GLL5
2 nd Bicuspid/Hook	-22/0	GLR58H	GLL58H	GLR5H	GLL5H
2 nd Bicuspid/Ext. Base	-22/0	GLR58E	GLL58E	GLR5E	GLL5E
2 nd Bicuspid/Offset Base	-22/0	GLR58O	GLL58O	GLR5O	GLL5O
1 st Bicuspid	-17/0	GLR48	GLL48	GLR4	GLL4
1 st Bicuspid/Hook	-17/0	GLR48H	GLL48H	GLR4H	GLL4H
1 st Bicuspid/Ext. Base	-17/0	GLR48E	GLL48E	GLR4E	GLL4E
1 st Bicuspid/Offset Base	-17/0	GLR48O	GLL48O	GLR4O	GLL4O
Cuspids	-11/6	GLR38	GLL38	GLR3	GLL3
Cuspids/Hook	-11/6	GLR38H	GLL38H	GLR3H	GLL3H
Chamfered Ant.	0/0	GLI28	GLI28	GLI2	GLI2

RICKETTS GOLD			
DESCRIPTION	T/A	ORDER NUMBER	
		RIGHT	LEFT
MAXILLARY			
Centrals	22/0	GRUR1	GRUL1
Laterals	14/8	GRUR2	GRUL2
Cuspids	7/5	GRUR3	GRUL3
Cuspids/Hk	7/5	GRUR3H	GRUL3H
Bicuspid	0/0	GRUR45	GRUL45
MANDIBULAR			
Bicuspid	0/0	GRLR45	GRL45
Cuspids	7/5	GRLR3	GRL3
Cuspids/Hk	7/5	GRLR3H	GRL3H
Anteriors	0/0	GRLR12	GRL12

148E Hawthorne Ave, Valley Stream, NY 11580
TEL:1-800-BRACKET, 718-252-4295 FAX: 516-612-3584
 EMAIL: advortho@aol.com

ADVANCED ORTHODONTICS

ROTH / VERTICAL SLOT							
DESCRIPTION	ORDER NUMBER						
	T/A	.018		.022			
		RIGHT	LEFT	RIGHT	LEFT		
MAXILLARY							
<i>Centrals</i>	14/5	VUR18	VUL18	VUR1	VUL1		
<i>Laterals</i>	8/9	VUR28	VUL28	VUR2	VUL2		
<i>Cuspids</i>	0/10	VUR38	VUL38	VUR3	VUL3		
<i>Cuspids/Hook</i>	0/10	VUR38H	VUL38H	VUR3H	VUL3H		
<i>1st & 2nd Bicuspid</i>	-7/0	VU458	VU448	VU45	VU45		
<i>Bicuspid/Hook</i>	-7/0	VUR458H	VUL458H	VUR45H	VUL45H		
<i>Bicuspid/Ext. Base</i>	-7/0	VUR458E	VUL458E	VUR45E	VUL45E		
<i>Bicuspid/Offset Base</i>	-7/0	VUR458O	VUL458O	VUR45O	VUL45O		
MANDIBULAR							
<i>2nd Bicusp</i>	-22/0	VLR58	VLL58	VLR5	VLL5		
<i>2nd Bicusp/Hook</i>	-22/0	VLR58H	VLL58H	VLR5H	VLL5H		
<i>2nd Bicusp/Ext. Base</i>	-22/0	VLR58E	VLL58E	VLR5E	VLL5E		
<i>2nd Bicusp/Offset Base</i>	-22/0	VLR58O	VLL58O	VLR5O	VLL5O		
<i>1st Bicusp</i>	-17/0	VLR48	VLL48	VLR4	VLL4		
<i>1st Bicusp/Hook</i>	-17/0	VLR48H	VLL48H	VLR4H	VLL4H		
<i>1st Bicusp/Ext. Base</i>	-17/0	VLR48E	VLL48E	VLR4E	VLL4E		
<i>1st Bicusp/Offset Base</i>	-17/0	VLR48O	VLL48O	VLR4O	VLL4O		
<i>Cuspids</i>	-11/6	VLR38	VLL38	VLR3	VLL3		
<i>Cuspids/Hook</i>	-11/6	VLR38H	VLL38H	VLR3H	VLL3H		
<i>Chamfered Ant.</i>	0/0	VL128	VLI28	VL12	VLI2		

148E Hawthorne Ave, Valley Stream, NY 11580
TEL:1-800-BRACKET, 718-252-4295 FAX: 516-612-3584
 EMAIL: advortho@aol.com